

MS50

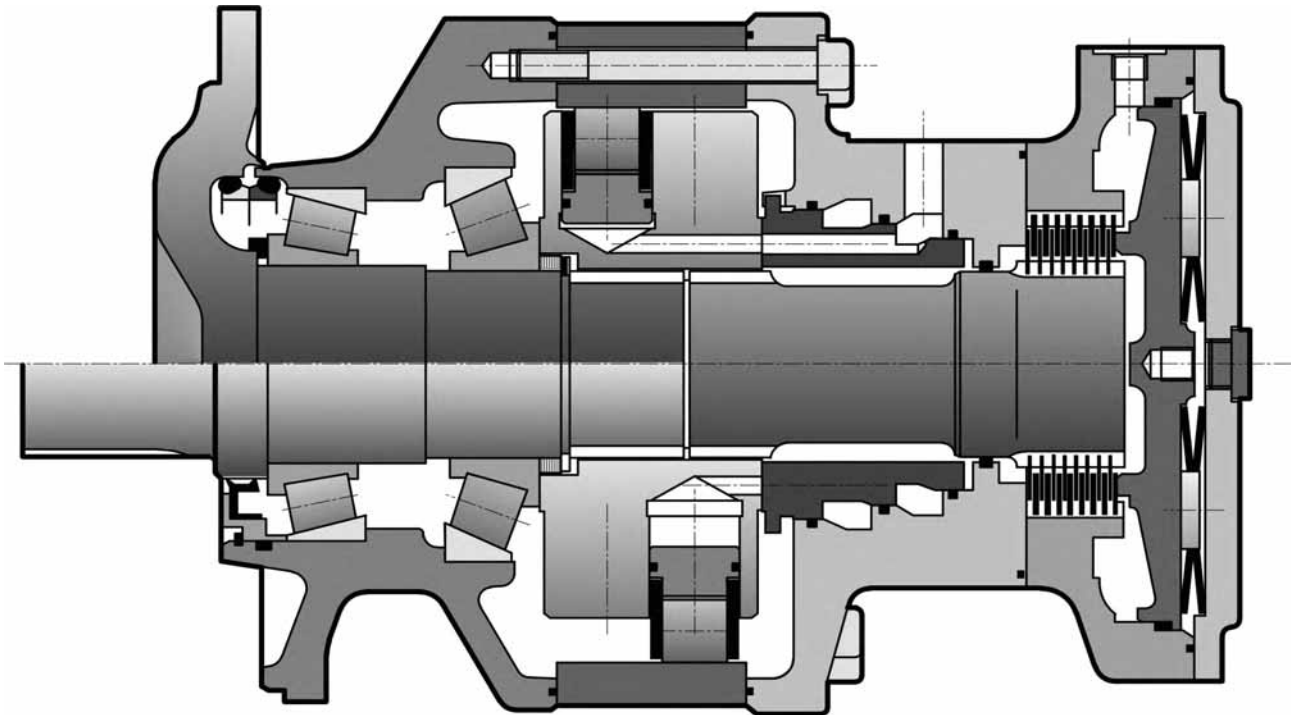
HYDRAULIC MOTORS

C					A	B	C	D	E	N
					mm[in]	mm[in]	mm[in]	mm[in]	mm[in]	mm[in]
1	1	1	0		Ø 175.7	Ø 225	Ø 265	253.45	Ø 334	Ø 291
1	2	3	4		[6.92 dia.]	[8.86 dia.]	[10.43 dia.]	[9.98]	[13.15 dia.]	[10.94 dia.]
P										
1	2	1	0		Ø 220.7	Ø 275	Ø 314	253.25	Ø 291	Ø 275
1	2	3	4		[8.69 dia.]	[10.83 dia.]	[12.36 dia.]	[9.97]	[11.46 dia.]	[10.87 dia.]
P										
1	7	1	0		Ø 220.7	Ø 275	Ø 314	253.25	Ø 334	Ø 275
1	2	3	4		[8.69 dia.]	[10.83 dia.]	[12.36 dia.]	[9.97]	[13.15 dia.]	[10.87 dia.]
P										
1	3	1	0		Ø 175.7	Ø 225	Ø 276	208.75	Ø 334	Ø 291
1	2	3	4		[6.92 dia.]	[8.86 dia.]	[10.87 dia.]	[8.22]	[13.15 dia.]	[10.94 dia.]
P										
1	4	1	0		Ø 220.7	Ø 254	Ø 285	163.2	Ø 334	Ø 275
1	2	3	4		[8.69 dia.]	[10.00 dia.]	[11.22 dia.]	[6.43]	[13.15 dia.]	[10.87 dia.]
P										
1	1	1	0		Ø 175.7	Ø 225	Ø 265	253.45	Ø 334	Ø 291
1	2	3	4		[6.92 dia.]	[8.86 dia.]	[10.43 dia.]	[9.98]	[13.15 dia.]	[10.94 dia.]
P										
1	2	1	0		Ø 220.7	Ø 275	Ø 314	253.25	Ø 291	Ø 275
1	2	3	4		[8.69 dia.]	[10.83 dia.]	[12.36 dia.]	[9.97]	[11.46 dia.]	[10.87 dia.]
P										
1	3	1	0		Ø 175.7	Ø 225	Ø 276	208.75	Ø 334	Ø 291
1	2	3	4		[6.92 dia.]	[8.86 dia.]	[10.87 dia.]	[8.22]	[13.15 dia.]	[10.94 dia.]
P										
1	4	1	0		Ø 220.7	Ø 254	Ø 285	163.2	Ø 334	Ø 275
1	2	3	4		[8.69 dia.]	[10.00 dia.]	[11.22 dia.]	[6.43]	[13.15 dia.]	[10.87 dia.]
P										
1	2	1	0		Ø 220.7	Ø 275	Ø 314	253.25	Ø 291	Ø 275
1	2	3	4		[8.69 dia.]	[10.83 dia.]	[12.36 dia.]	[9.97]	[11.46 dia.]	[10.87 dia.]
P										
1	7	1	0		Ø 220.7	Ø 275	Ø 314	253.25	Ø 334	Ø 275
1	2	3	4		[8.69 dia.]	[10.83 dia.]	[12.36 dia.]	[9.97]	[13.15 dia.]	[10.87 dia.]
P										
1	3	1	0		Ø 175.7	Ø 225	Ø 276	208.75	Ø 334	Ø 291
1	2	3	4		[6.92 dia.]	[8.86 dia.]	[10.87 dia.]	[8.22]	[13.15 dia.]	[10.94 dia.]
P										

T E C H N I C A L C A T A L O G



CHARACTERISTICS






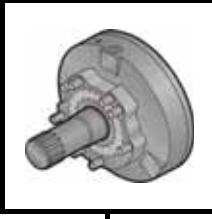
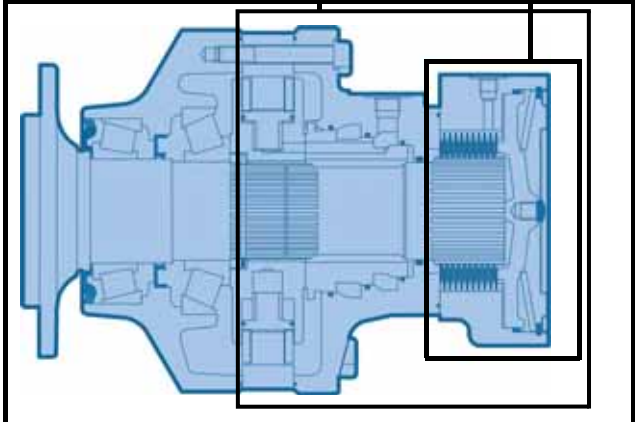
Motor inertia 1 kg.m²

	Displacement		Theoretical torque		Max.power			Max. speed		Max. pressure
	①	②	①		①	②	②	①	②	
	cm ³ /tr [cu.in./rev.]	cm ³ /tr [cu.in./rev.]	at 100 bar Nm	at 1000 PSI [lb.ft]	kW [HP]	preferred kW [HP]	non-preferred kW [HP]	tr/min[RPM]		bar [PSI]
Cams with equal lobes	7	3 500 [213,5]	1 750 [106,7]	5 565 [2 830]	140 [188]	93 [125]	70 [94]	148	148	450 [6 527]
	8	4 008 [244,4]	2 004 [122,2]	6 373 [3 241]				138	145	
	9	4 498 [274,3]	2 249 [137,2]	7 152 [3 637]				111	127	
	0	4 997 [304,8]	2 499 [152,4]	7 945 [4 040]				92	114	
	1	5 504 [335,7]	2 752 [167,8]	8 751 [4 450]				72	-	
	2	6 011 [366,6]	3 006 [183,3]	9 557 [4 860]				122	114	
Cams with unequal lobes	K	4 252 [259,3]	2 752 [167,8]	6 761 [3 438]	140 [188]	93 [125]	70 [94]	-	-	450 [6 527]
			1 500 [91,5]					122	114	
	A	5 010 [305,6]	3 006 [183,3]	7 966 [4 051]				92	114	
			2 004 [122,2]					145	145	

- ① First displacement
- ② Second displacement

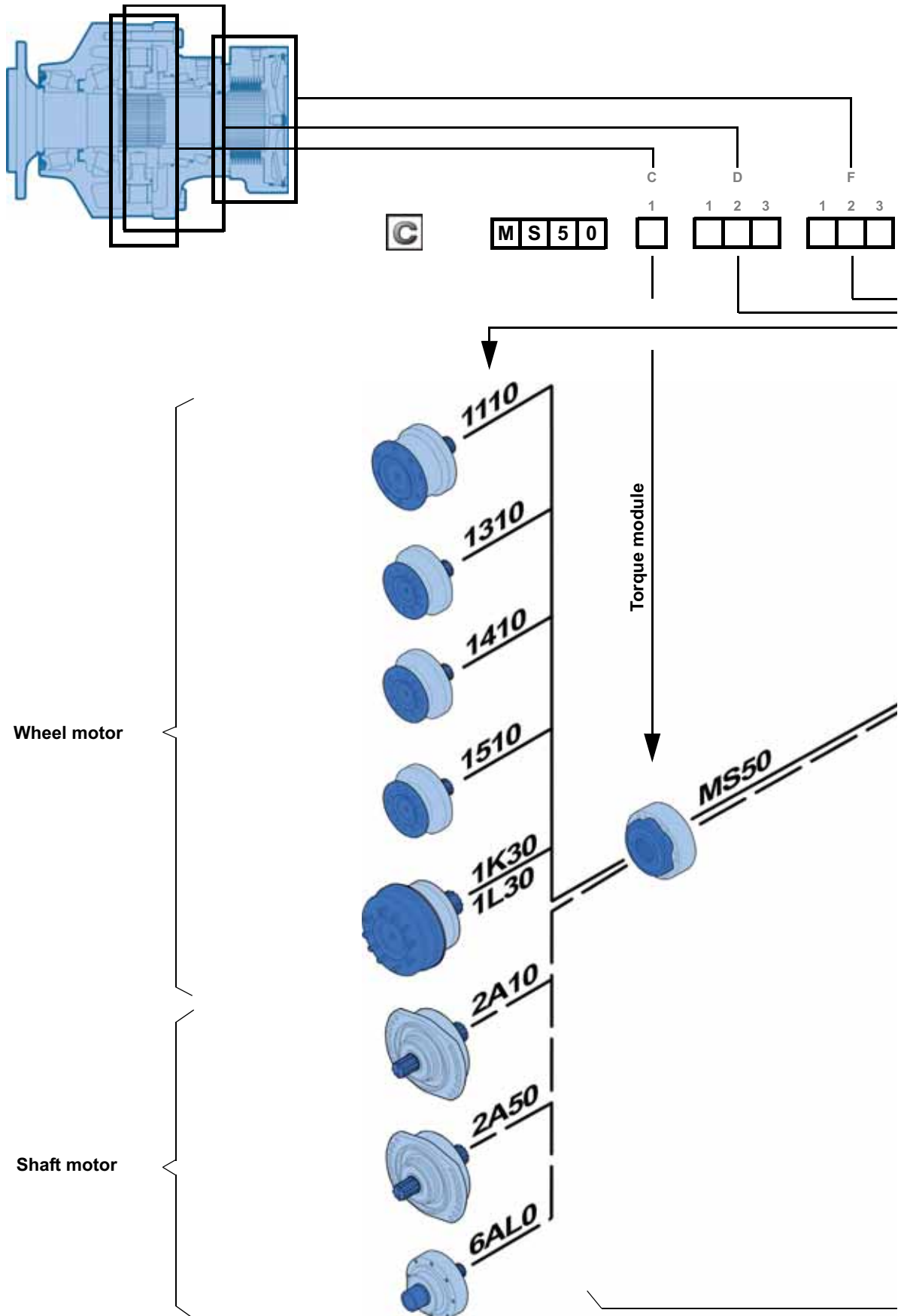


CONTENT

	MODULARITY	4	Modularity and Model code
	MODEL CODE	6	
	WHEEL MOTOR	8	Wheel motor
	Dimensions for standard (1110) 1-displacement motor	8	
	Dimensions for standard (1110) 2-displacement motor	9	
	Dimensions for standard (1110) Twin-Lock™ motor	9	
	Studs	10	
Load curves	11		
	SHAFT MOTOR	13	Shaft motor
	Dimensions for standard (2A50) 1-displacement motor	13	
	Dimensions for standard (2A50) 2-displacement motor	13	
	Support types	14	
	Splined coupling	14	
	Cylindrical bushed coupling	15	
Load curves	15		
	VALVING SYSTEMS AND HYDROBASES	17	Valving systems and hydrobases
	Dimensions for 1-displacement valving	17	
	Cylinder block splines	17	
	Dimensions for other valving systems	18	
	Chassis mountings	20	
	Hydraulic connections	21	
Efficiency	22		
	BRAKES	23	Brake
	Rear brake	23	
	Rear brake	24	
	Drum brake (432 x 102)	25	
	OPTIONS	27	Options

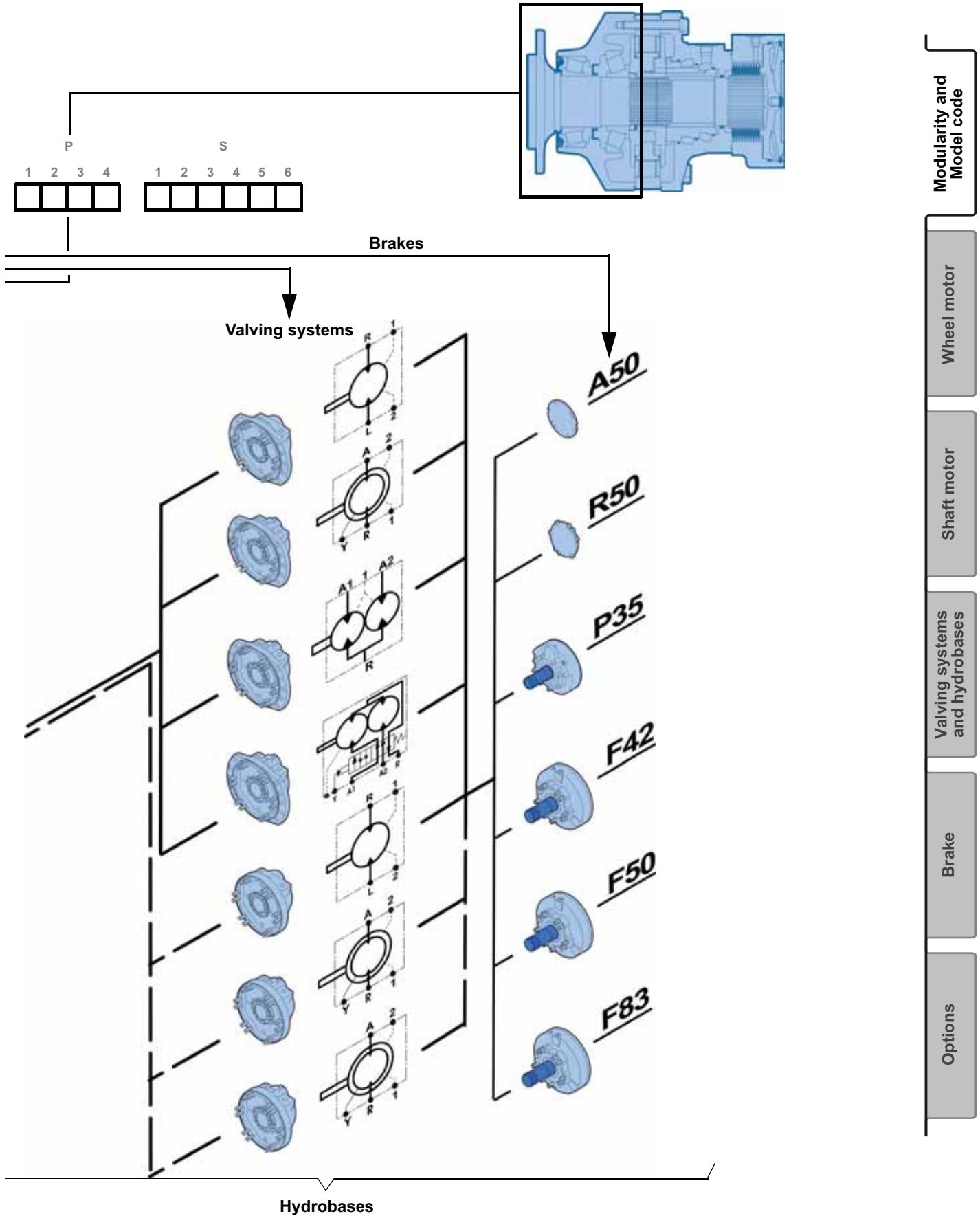


MODUL



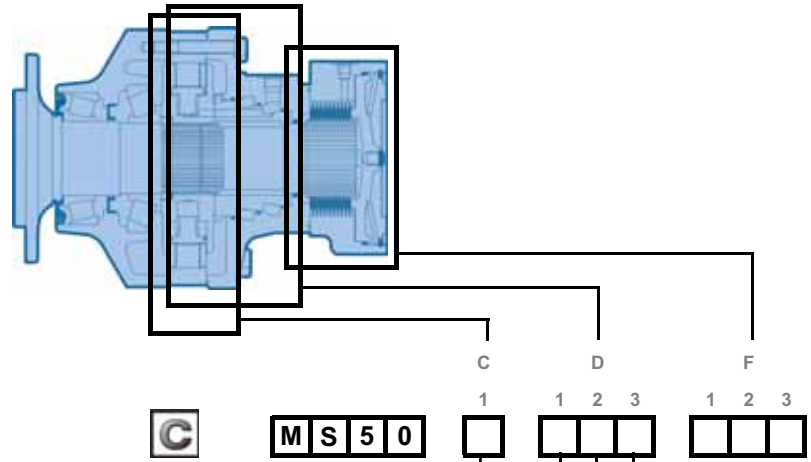


ARITY





MODEL



	①		②	
	cm ³ /tr [cu.in/rev.]		cm ³ /tr [cu.in/rev.]	
Cams with equal lobes	7	3 500 [213,5]	1 750 [106,7]	
	8	4 008 [244,4]	2 004 [122,2]	
	9	4 498 [274,3]	2 249 [137,2]	
	0	4 997 [304,8]	2 499 [152,4]	
	1	5 504 [335,7]	2 752 [167,8]	
	2	6 011 [366,6]	3 006 [183,3]	
Cams with unequal lobes	K	4 252 [259,3]	2 752 [167,8]	
			1 500 [91,5]	
	A	5 010 [305,6]	3 006 [183,3]	
			2 004 [122,2]	

① First displacement
② Dual displacement

Without mounting	1	1	D	K
Lug fixing	2	2	E	V
	1-displacement	2-displacement	Twin-Lock™	Twin-Lock™ or 2-displacement

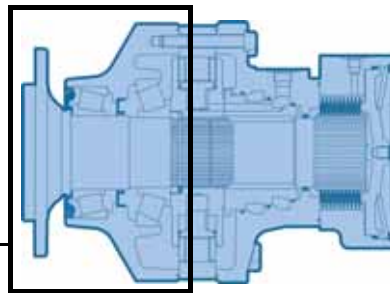
Without cover	0
ISO 6162 DN 25 SAE flanges	1
ISO 9974-1 metric connections	6
ISO 6162 DN 32 SAE flanges	7
ISO 9974-1 metric connections	
ISO 6162 DN 25 SAE flanges	
ISO 11926-1 connections	

1-displacement valving	1
2-displacement valving (No special direction)	A Ratio 2 B Ratio <2 C Ratio >2
2-displacement & Twin-Lock™ valving (Clockwise)	D Ratio 2 E Ratio <2 F Ratio >2
2-displacement & Twin-Lock™ valving (Counterclockwise)	G Ratio 2 H Ratio <2 J Ratio >2

Without brake (simple plate)	A 5 0
Brakes	P 3 5 F 4 2 F 5 0 F 8 3
Without brake (reinforced plate)	R 5 0



CODE



Modularity and Model code

Wheel motor

Shaft motor

Valving systems and hydrobases

Brake

Options



0	Without bearing support
1	Without mounting
2	Lug mounting
6	Motor torque

Drum brake

Without drum brake	0
Without cable	4
Right-hand cable outlet	5
Left-hand cable outlet	6

K - L

Without shaft	0
12 x Ø26 on Ø425	1
10 x Ø24 on Ø335	3
10 x Ø24 on Ø335	4
12 x Ø22 on Ø275	5
Drum brake (432 x 102)	Mineral K DOT L
Bearing support for shaft	A

Without Options or Adaptations	0
Fluorinated elastomer seals	1
T4 Speed sensor installed	2
Drainage	5
Industrial bearing support	6
Diamond™	7
Predisposition for speed sensor	8
Double-centering valving cover	9
Hollow shaft	A
Drain on the bearing support	B
Hostile environment	C
Reinforced sealing	E
Special wheel rim mounting	G
Surface heat treatment of the shaft	J
TR Speed sensor installed	S
For vertical mounting (shaft upward)	N

Plate

Without studs	1
With studs + nuts	2
With studs	3

Male shafts

NF E 22 141 splines	1
DIN 5480 splines	5
Bushed female (motor torque)	L



Methodology :

This document is intended for manufacturers of machines that incorporate Poclair Hydraulics products. It describes the technical characteristics of Poclair Hydraulics products and specifies installation conditions that will ensure optimum operation. This document includes important comments concerning safety. They are indicated in the following way:



Safety comment.

This document also includes essential operating instructions for the product and general information. These are indicated in the following way:



Essential instructions.



General information .



Information on the model code.



Weight of component without oil.



Volume of oil.



Units.



Tightening torque.



Screws.



Information intended for Poclair-Hydraulics personnel.

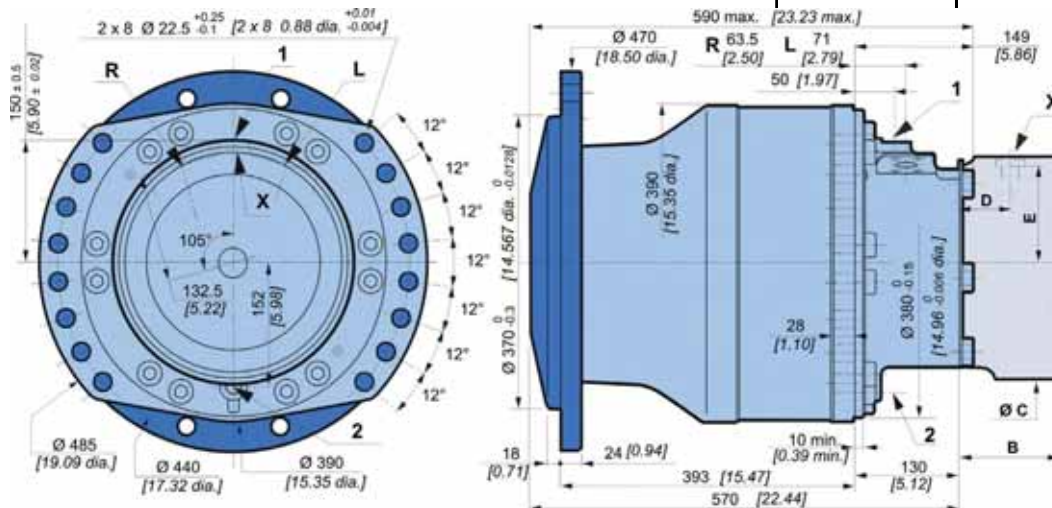
The views in this document are created using metric standards.

The dimensional data is given in mm and in inches (inches are between brackets and italic)



Dimensions for standard (1110) 1-displacement motor

	310 kg [682 lb]	415 kg [913 lb]
	6,00 L [360 cu.in]	4,50 L [270 cu.in]

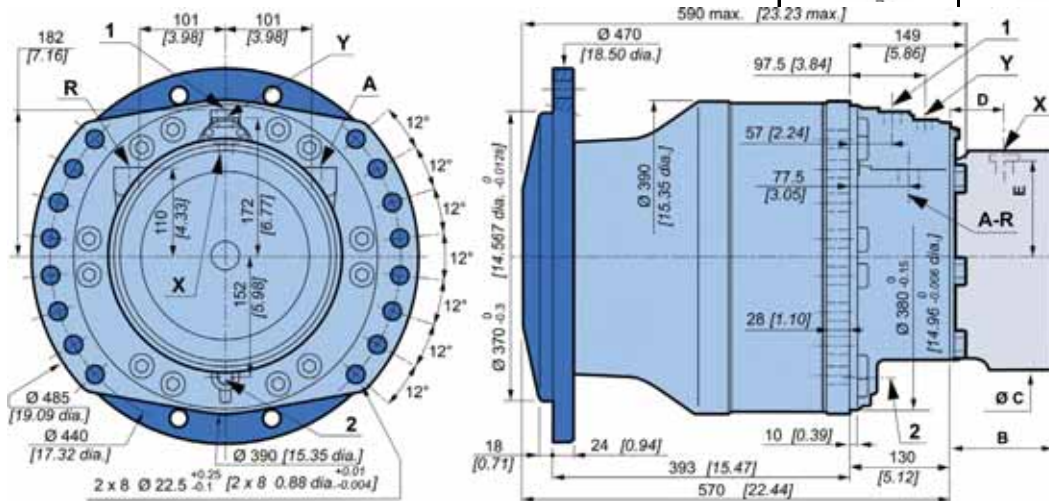




WHEEL MOTOR

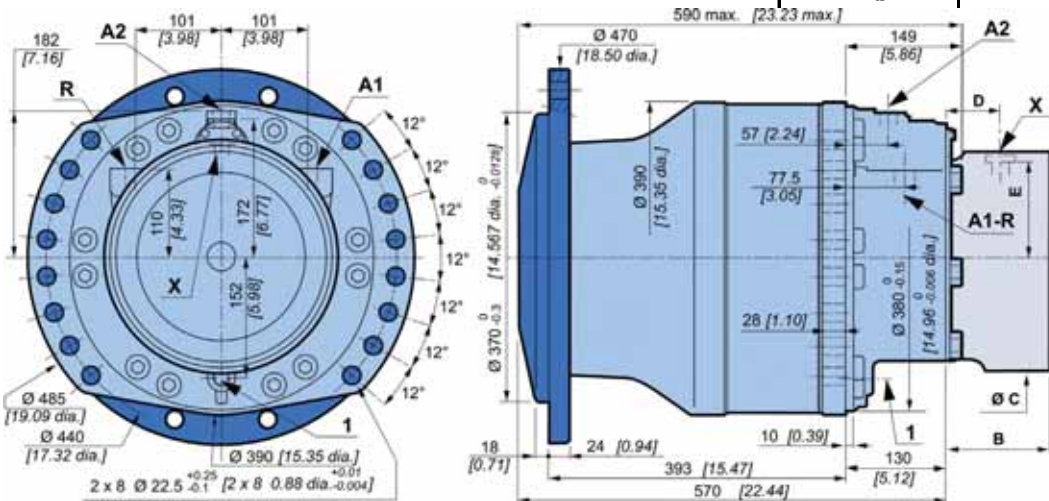
Dimensions for standard (1110) 2-displacement motor

	310 kg [682 lb]	415 kg [913 lb]
	6,00 L [360 cu.in.]	4,50 L [270 cu.in.]



Dimensions for standard (1110) Twin-Lock™ motor

	310 kg [682 lb]	415 kg [913 lb]
	6,00 L [360 cu.in.]	4,50 L [270 cu.in.]



Also see 'Valving systems and hydrobases' section (thumbnail opposite).

	C	P 3 5	F 4 2	F 5 0	F 8 3
B	108,5 [4,27]	142,5 [5,61]	152 [5,98]		
C	Ø280 [11,02 dia.]	Ø375 [14,76 dia.]	Ø375 [14,76 dia.]		
D	57 [2,24]	63,5 [2,50]	63,5 [2,50]		
E	138,5 [5,45]	183,5 [7,22]	183,5 [7,22]		



Also see 'Brakes' section (thumbnail opposite).

Modularity and Model code

Wheel motor

Shaft motor

Valving systems and hydrobases

Brake

Options



Support types

	C				D			F			P				S					
	1				1 2 3			1 2 3			1 2 3 4				1 2 3 4 5 6					
	M S 5 0																			
C	A	B	C	D	E	N	Wheel rim mountings	L												
	mm [in]	mm [in]	mm [in]	mm [in]	mm [in]	mm [in]		mm [in]												
1 1 1 0 1 2 3 4 P	Ø 370 [14,57 dia.]	Ø 425 [16,73 dia.]	Ø 472 [18,58 dia.]	393 [15,47]	Ø 390 [15,35 dia.]	Ø 26 [1,02 dia.]	12 x M 24x2	24 [0,94]												
1 3 1 0 1 2 3 4 P	Ø 280,7 [11,05 dia.]	Ø 335 [13,19 dia.]	Ø 379 [14,92 dia.]	335 [13,19]	Ø 390 [15,35 dia.]	Ø 24 [0,94 dia.]	10 x M 22x1.5	17 [0,67]												
1 4 1 0 1 2 3 4 P	Ø 280,7 [11,05 dia.]	Ø 335 [13,19 dia.]	Ø 379 [14,92 dia.]	296 [11,65]	Ø 390 [15,35 dia.]	10 x Ø 24 [10 x 0,94 dia.]	-	17 [0,67]												
1 5 1 0 1 2 3 4 P	Ø 220,7 [8,69 dia.]	Ø 275 [10,83 dia.]	Ø 314,5 [12,38 dia.]	348 [13,70]	Ø 390 [15,35 dia.]	(8+4) x Ø 22 [0,87 dia.]	-	18 [0,71]												
1 K 2 0 1 L 2 0 1 2 3 4 P	Ø 280,7 [11,05 dia.]	Ø 335 [13,19 dia.]	Ø 482 [18,98 dia.]	396 [15,59]			10 x M 22x1.5	45 [1,77]												
	Also see 'Brakes' section (thumbnail opposite).																			

Studs

		P	C min.	C max.	D	Class			
		mm [in]	mm [in]	mm [in]	mm [in]		(1) * N.m [lb.ft]	(2) * N.m [lb.ft]	
Various studs	M22 x 1.5	80 [3,15]	5 [0,20]	36 [1,42]	26 [1,02]		12,9	695 [512,6]	1 050 [774,4]
	M24 x 2	95 [3,74]		38 [1,50]	30 [1,18]			910 [671,2]	1 150 [848,2]
Screws	M20	-	-			12,9	600 [442,5]	770 [567,9]	

(*) The tightening torques are given for the indicated loads.

(1) **Wheel rim** : Suggested tightening torque for wheel rim mountings (Re steel disc > 240 N/mm² [>34 800 PSI]).

(2) **Standard** : Suggested tightening torque in other cases (Re steel flange 360 > N/mm² [>52 215 PSI])



See generic installation motors N°801478197L.



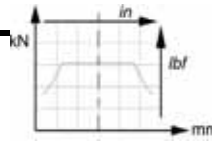
Load curves

Permissible radial loads

Test conditions :

Static : 0 tr/min [0 RPM] 0 bar [0 PSI]

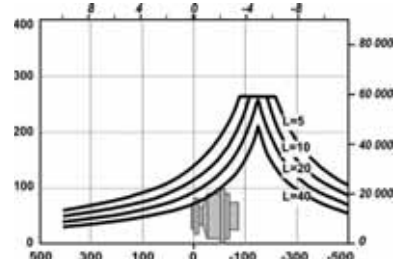
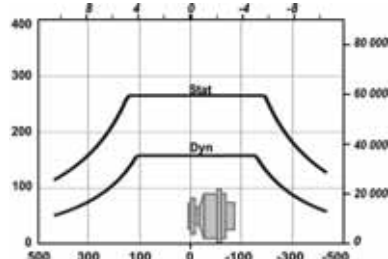
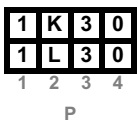
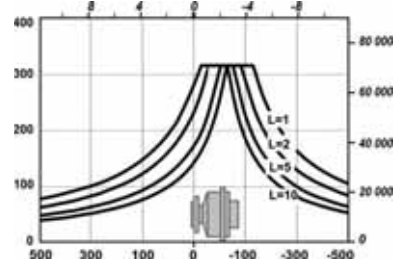
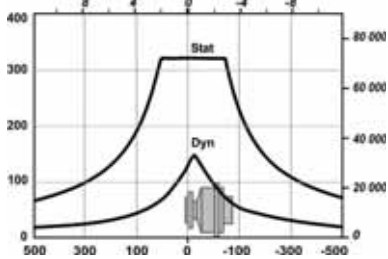
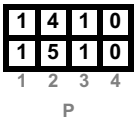
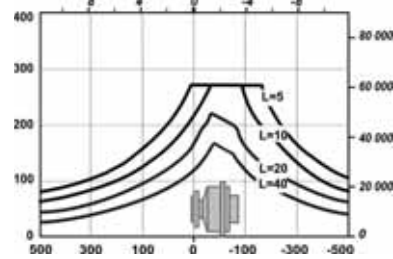
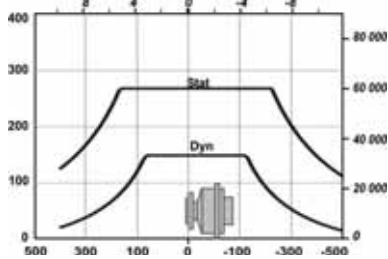
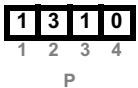
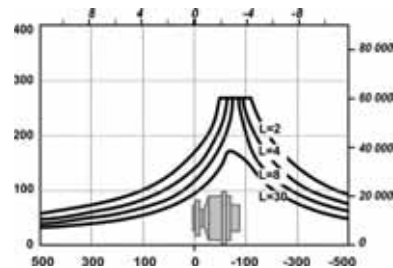
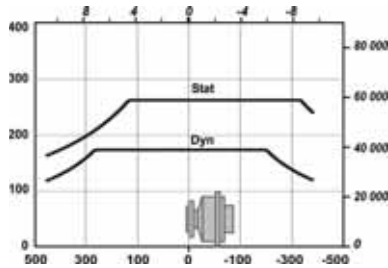
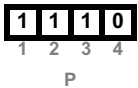
Dynamic : 0 tr/min [0 RPM], code 0 displacement, without axial load at max. torque



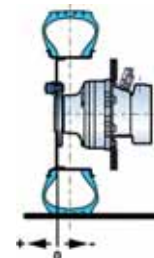
Service life of bearings

Test conditions :

L : Millions B10 revolutions at 150 bars (average pressure), with 25 cSt fluid, code 0 displacement, without axial load.



The service life of the components is influenced by the pressure. You must check that the combination of forces applied (Axial load / Radial load) is compatible with the permissible loads for the components, and that the resulting service lives of these components complies with the application's specifications. For an accurate calculation, consult your Poclain Hydraulics application engineer.



Modularity and Model code

Wheel motor

Shaft motor

Valving systems and hydrobases

Brake

Options

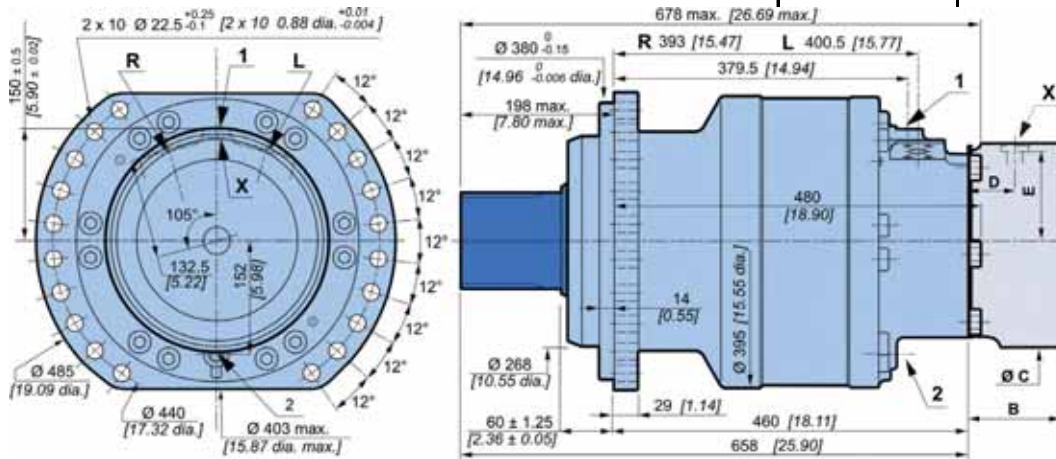




SHAFT MOTOR

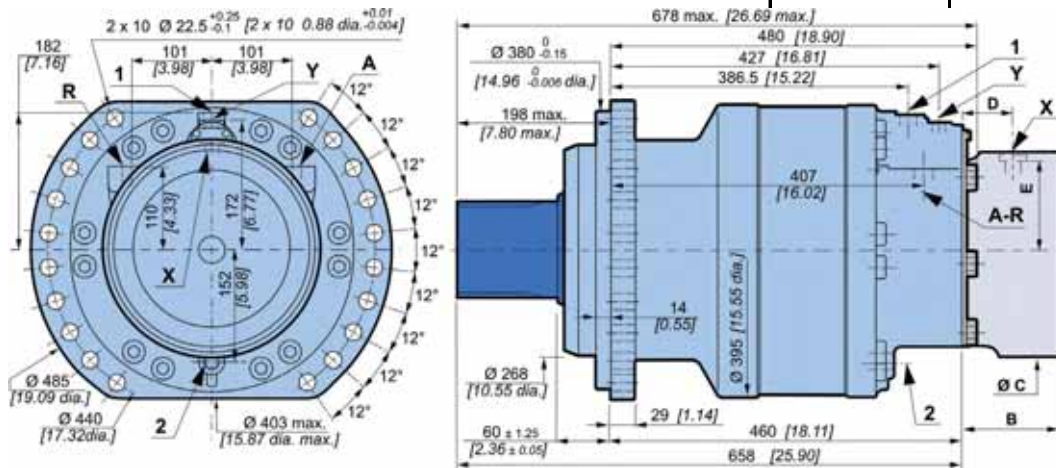
Dimensions for standard (2A50) 1-displacement motor

	265 kg [583 lb]	370 kg [814 lb]
	6,00 L [360 cu.in.]	4,50 L [270 cu.in.]



Dimensions for standard (2A50) 2-displacement motor

	265 kg [583 lb]	370 kg [814 lb]
	6,00 L [360 cu.in.]	4,50 L [270 cu.in.]



Also see 'Valving systems and hydrobases' section (thumbnail opposite).

	C	P 3 5	F 4 2	F 5 0	F 8 3
B	108,5 [4,27]	142,5 [5,61]	152 [5,98]		
C	Ø280 [11,02 dia.]	Ø375 [14,76 dia.]	Ø375 [14,76 dia.]		
D	57 [2,24]	63,5 [2,50]	63,5 [2,50]		
E	138,5 [5,45]	183,5 [7,22]	183,5 [7,22]		



Also see 'Brakes' section (thumbnail opposite).

Modularity and Model code

Wheel motor

Shaft motor

Valving systems and hydrobases

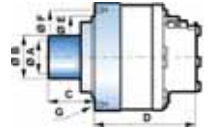
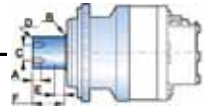
Brake

Options



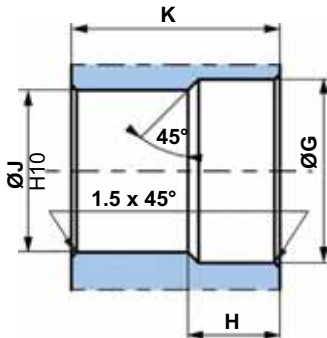
Support types

				C	D	F	P	S					
				1	1 2 3	1 2 3	1 2 3 4	1 2 3 4 5 6					
				M S 5 0									
				C	A	B	C	D	E	F			
DIN 5480 splines													
2 A 5 0	Nominal Ø	130	[5,12]	40	R4	60	2 x M16	32	136				
	Module	5		[1,57]	[R 0,16]	[2,36]		[1,26]	[5,35]				
	Z	24											
NF E22-141 splines													
2 A 1 0	Nominal Ø	130	[5,12]	40	R4	60	2 x M16	32	136				
	Module	3,75		[1,57]	[R 0,16]	[2,36]		[1,26]	[5,35]				
	Z	33											
6 A L 0													
	Nominal Ø	Ø 115	[4,53 dia.]	Ø 155	[6,10 dia.]	170	323	Ø 249	Ø 290				
	Z							[9,80 dia.]	[11,42 dia.]				



Also see 'Valving systems and hydrobases' section (thumbnail opposite).

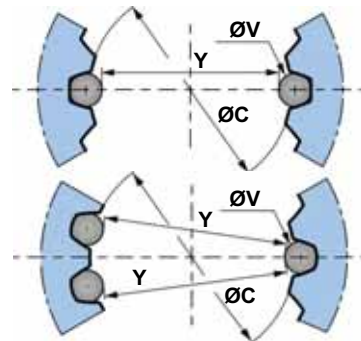
Splined coupling



N : Nominal Ø.
Mo : Module.
Z : Number of teeth.

Standard DIN 5480
 Pressure angle 30°. Centering on flanks. Slide adjustment (7H quality).

Standard NF E 22-141
 Pressure angle 20°. Centering on flanks. Slide adjustment (7H quality).



				C	Ø G	H	Ø J	K	N	Mo	Z	Offset	Ø C (H10)	Ø V	Y	Tolerance
					mm [in]	mm [in]	mm [in]	mm [in]	mm [in]			mm [in]	mm [in]	mm [in]	µm [µin]	
2 A 5 0					132	33	120	135	130	5	24	2,25	120	9	111,104	+ 87 / 0
					[5,20]	[1,30]	[4,72]	[5,31]	[5,12]			[0,09]	[4,72]	[0,35]	[4,37]	[+3.425 / 0]
2 A 1 0					131	33	122,5	135	130	3,75	33	2,373	122,5	7,5	115,081	+ 113 / 0
					[5,16]	[1,30]	[4,82]	[5,31]	[5,12]			[0,0934]	[4,82]	[0,30]	[4,53]	[+4.448 / 0]

General tolerances : ± 0.25 [±0.0098].

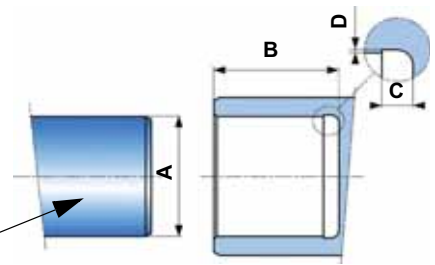
Material : 35CD4 [4135].

Hardening treatment to obtain R = 800 to 900 N/mm² [R = 116 030 to 130 533 PS].



Cylindrical bushed coupling

C				A	B	C	D
				mm [in]	mm [in]	mm [in]	mm [in]
6	A	L	0	∅ 115 [4,53 dia.]	105 [4,13]	10 [0,394]	0,5 [0,0197]
1	2	3	4				



$R_{min.} : 640 \text{ N/mm}^2 [132\ 800 \text{ PSI}]$

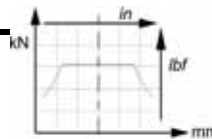
Load curves

Permissible radial loads

Test conditions :

Static : 0 tr/min [0 RPM] 0 bar [0 PSI]

Dynamic : 0 tr/min [0 RPM], code 0 displacement, without axial load at max. torque

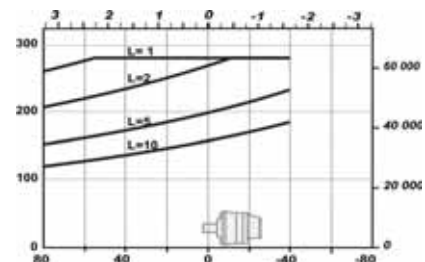
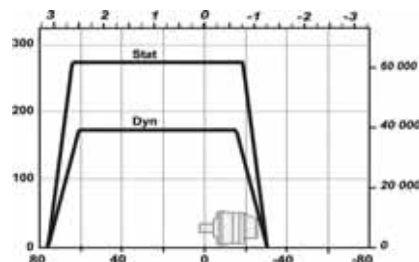


Service life of bearings

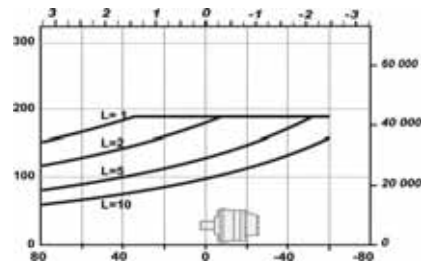
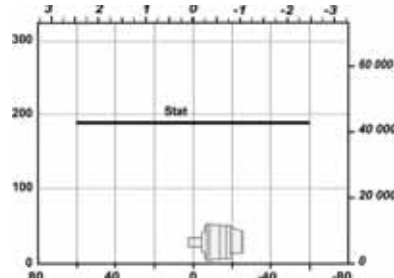
Test conditions :

L : Millions B10 revolutions at 150 bars (average pressure), with 25 cSt fluid, code 0 displacement, without axial load.

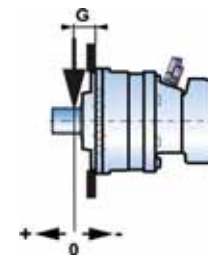
2 A 5 0			
1	2	3	4
2	A	5	0
1	2	3	4



6 A L 0			
1	2	3	4
6	A	L	0
1	2	3	4



The service life of the components is influenced by the pressure. You must check that the combination of forces applied (Axial load / Radial load) is compatible with the permissible loads for the components, and that the resulting service lives of these components complies with the application's specifications. For an accurate calculation, consult your Poclain Hydraulics application engineer.



C				G
				mm [in]
2	A	1	0	144 [5,67]
2	A	5	0	144 [5,67]
6	A	L	0	60 [2,36]

Modularity and Model code

Wheel motor

Shaft motor

Valving systems and hydrobases

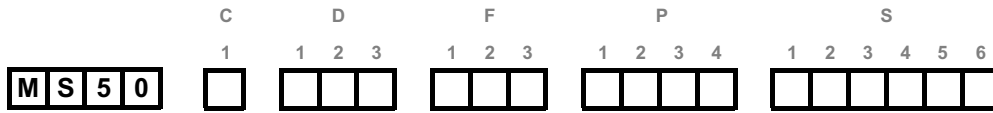
Brake

Options



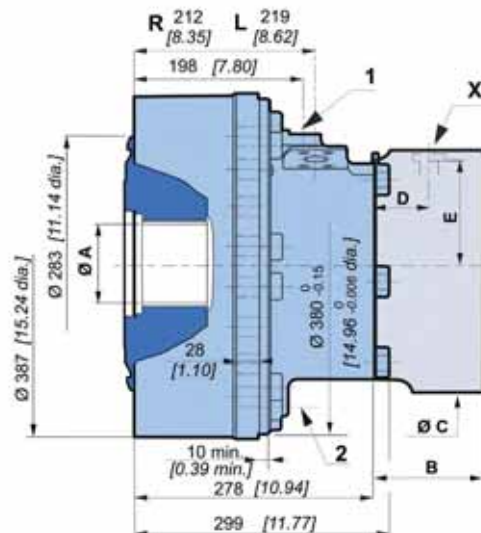
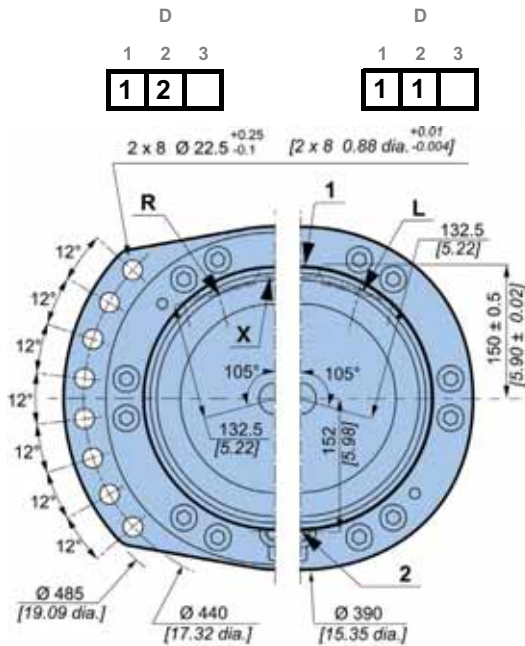


VALVING SYSTEMS AND HYDROBASES



Dimensions for 1-displacement valving

	145 kg [318 lb]	230 kg [505 lb]
	2,20 L [132 cu.in]	2,50 L [150 cu.in]



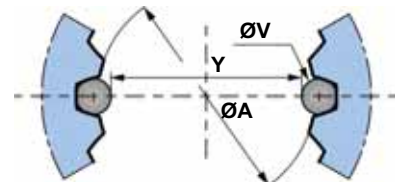
	C	P 3 5	F 4 2	F 5 0	F 8 3
B	108,5 [4,27]	142,5 [5,61]	152 [5,98]		
C	Ø280 [11,02 dia.]	Ø375 [14,76 dia.]	Ø375 [14,76 dia.]		
D	57 [2,24]	63,5 [2,50]	63,5 [2,50]		
E	138,5 [5,45]	183,5 [7,22]	183,5 [7,22]		

Also see 'Brakes' section (thumbnail opposite).

Cylinder block splines

(as per standard NF E22-141)

ØA	Module	Z	Dimension on 2 pins	
			Y	ØV
100 [3,937]	2,5	38	90,169 [3,550]	5 [0,197]



You are advised to have the installation validated by your Poclain Hydraulics application engineer before using the hydraulic unit in an application.



We must provide you with a detailed plan of the interface for any hydraulic unit use, consult your Poclain Hydraulics sales engineer.

Modularity and Model code

Wheel motor

Shaft motor

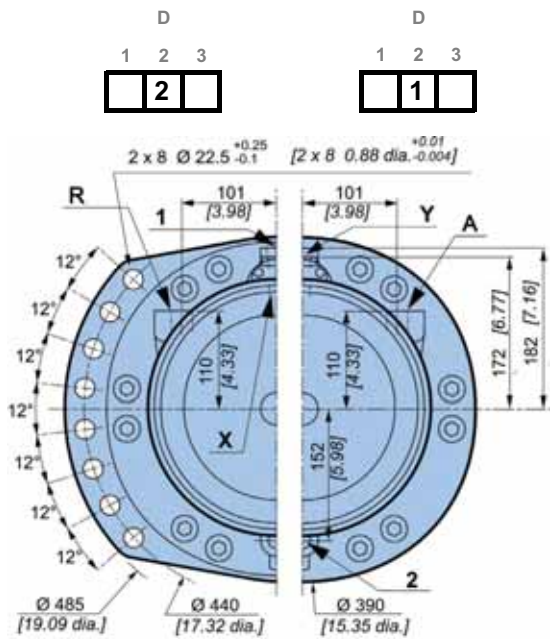
Valving systems and hydrobases

Brake

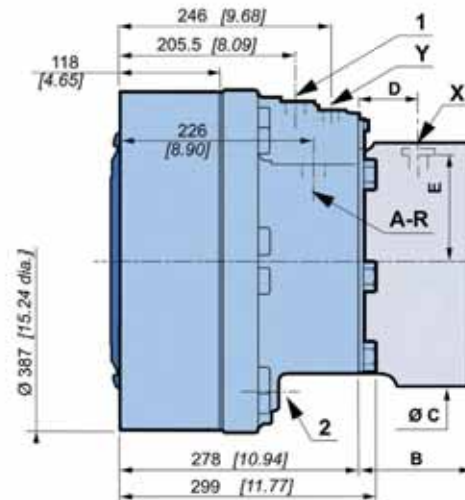
Options



Dimensions for 2-displacement valving

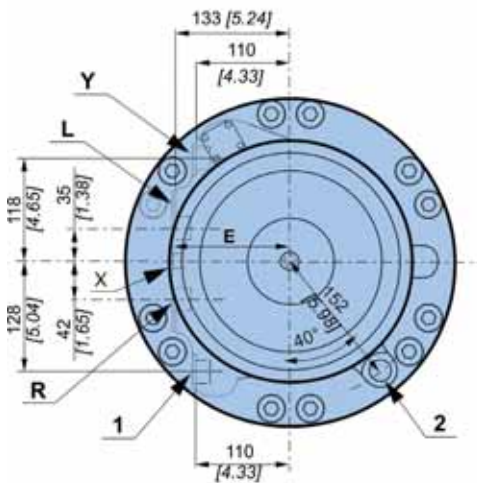


	160 kg [352 lb]	246 kg [541 lb]
	2,20 L [132 cu.in]	2,50 L [150 cu.in]

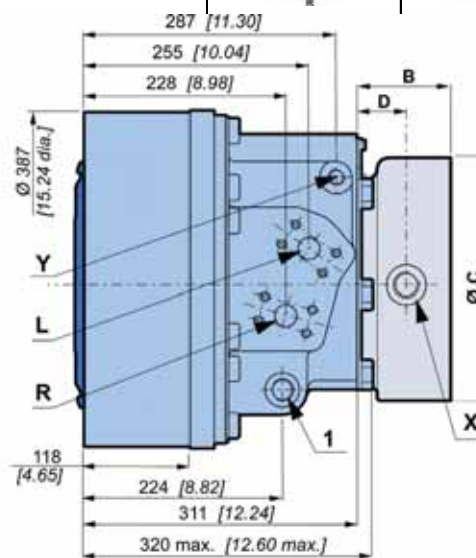


Dimensions for 2-displacement symmetrical valving

For a small displacement, there is no preferred orientation for this motor.



	173 kg [380 lb]	258 kg [568 lb]
	2,20 L [132 cu.in]	2,50 L [150 cu.in]



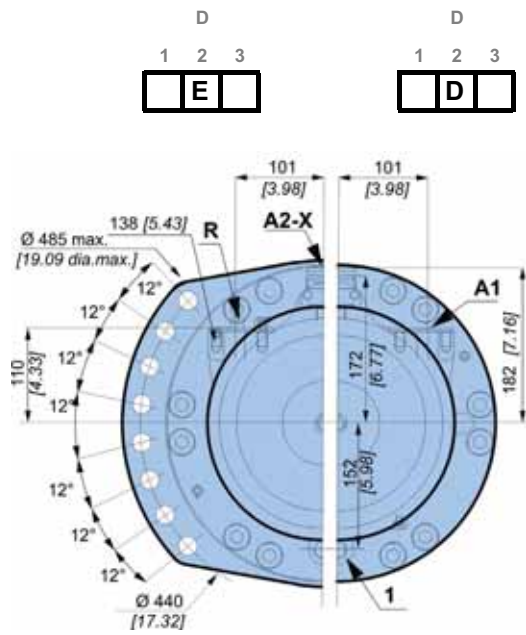
	C	P 3 5	F 4 2	F 5 0 F 8 3
B	108,5 [4,27]	142,5 [5,61]	152 [5,98]	
C	Ø280 [11,02 dia.]	Ø375 [14,76 dia.]	Ø375 [14,76 dia.]	
D	57 [2,24]	63,5 [2,50]	63,5 [2,50]	
E	138,5 [5,45]	183,5 [7,22]	183,5 [7,22]	



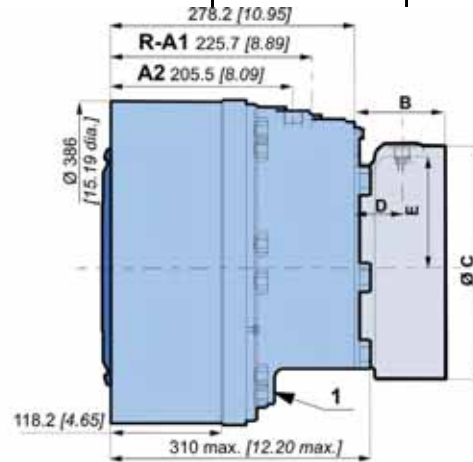
Also see 'Brakes' section (thumbnail opposite).



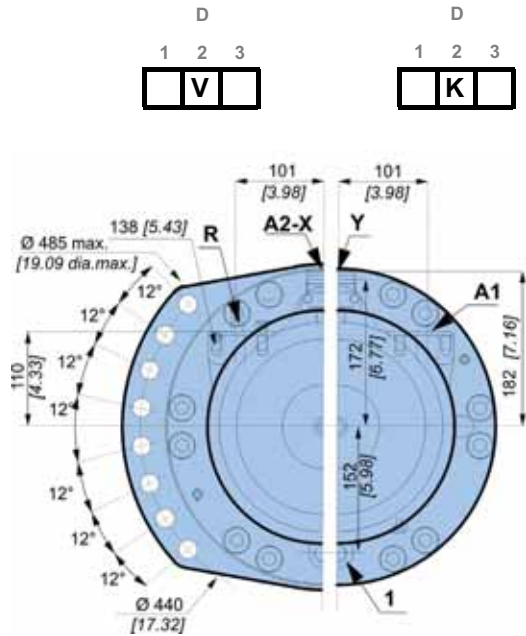
Dimensions for Twin-Lock™ valving



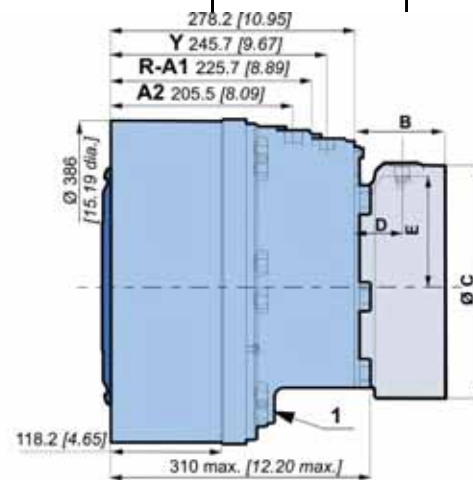
	160 kg [352 lb]	246 kg [541 lb]
	2,20 L [132 cu.in]	2,50 L [150 cu.in]



Dimensions for Twin-Lock™ / 2-displacement valving



	160 kg [352 lb]	246 kg [541 lb]
	2,20 L [132 cu.in]	2,50 L [150 cu.in]



	C	P 3 5	F 4 2	F 5 0 F 8 3
B	108,5 [4,27]	142,5 [5,61]	152 [5,98]	
C	Ø280 [11,02 dia.]	Ø375 [14,76 dia.]	Ø375 [14,76 dia.]	
D	57 [2,24]	63,5 [2,50]	63,5 [2,50]	
E	138,5 [5,45]	183,5 [7,22]	183,5 [7,22]	



Also see 'Brakes' section (thumbnail opposite).

Modularity and Model code

Wheel motor

Shaft motor

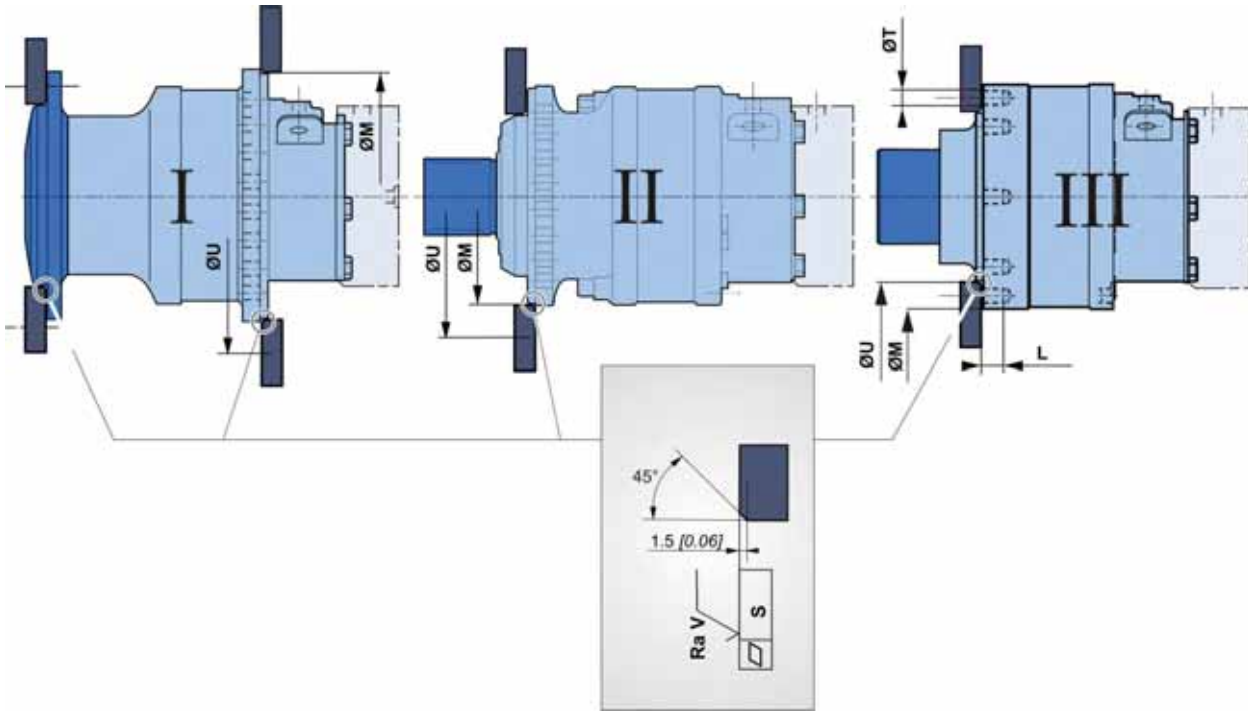
Valving systems and hydrobases

Brake


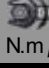
Options



Chassis mountings



Take care over the immediate environment of the connections.

	$\varnothing M^{(1)}$ mm [in]	$\varnothing U$ mm [in]	$\varnothing T$ mm [in]	L mm [in]	S mm [in]	Ra V $\mu m [\mu in]$		Class	 * N.m [lb.ft]
I	380 [14,96]	440 [17,32]	-	-	-	-	2 x 8 M20 x 2	8,8	410 [302,4]
II		485 [19,09]	-	-	0,2 [0,008]	12,5 [0,49]			
III	300 [11,81]	392 [15,43]	22,5 [0,886]	30 [1,181]			12 x M20 x 2		

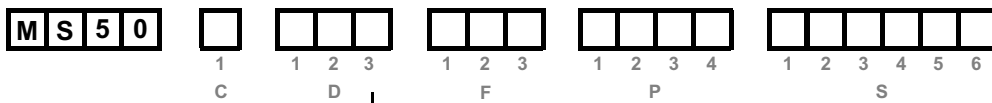
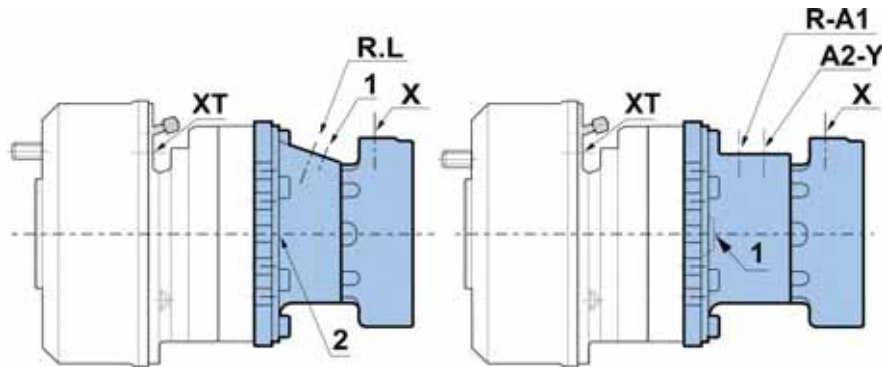
(1) +0,3 [+0,012]
+0,2 [+0,008]

* : Min. values for torque and load to be transmitted.



Hydraulic connections

connections



	Old standards	Standards	Power supply	Case drain	2 nd displacement control	Control of parking break	Control of drum break
			R-L	1, 2		X	XT
	1	ISO 6 162 DIN 3 852	ISO 6 162 ISO 9 974-1	DN25 PN400	M22x1.5	M18x1.5	
	6	DIN 3 852 NF E48 050	ISO 6 162 ISO 9 974-1	DN32 PN400	M22x1.5	M18x1.5	
	7	ISO 6 162 SAE J514	ISO 6 162 ISO 11 926-1	DN25 PN400	7/8"-14 UNF	9/16"-18 UNF	
			R-A	1, 2	Y	X	
	1	ISO 6 162 DIN 3 852	ISO 6 162 ISO 9 974-1	DN25 PN400	M22x1.5	M18x1.5	M18x1.5
	1*	ISO 6 162 DIN 3 852	ISO 6 162 ISO 9 974-1	DN25 PN400	M27x2	M20x1.5	M18x1.5
	7*	ISO 6 162 SAE J514	ISO 6 162 ISO 11 926-1	DN25 PN400	1"1/16-12 UNF	3/4"-16 UNF	9/16"-18 UNF
	1	ISO 6 162 DIN 3 852	ISO 6 162 ISO 9 974-1	DN25 PN400	M27x2	M22x1.5	M18x1.5
			R-A1	A2	1, 2	Y	X
							M14x1.5
	Max. pressures	MS bar [PSI]	450 [6 527]	1 [15]	30 [435]	30 [435]	120 [1 740]

* : Only symmetrical valving



You are strongly advised to use the fluids specified in brochure "Installation guide" N° 801478197L.



To find the connections' tightening torques, see the brochure "Installation guide" N° 801478197L.

Modularity and Model code

Wheel motor

Shaft motor

Valving systems and hydrobases

Brake

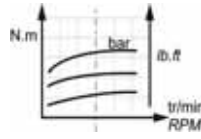
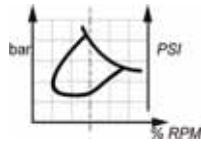
Options



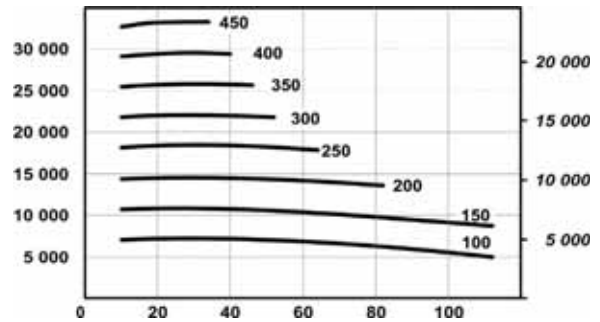
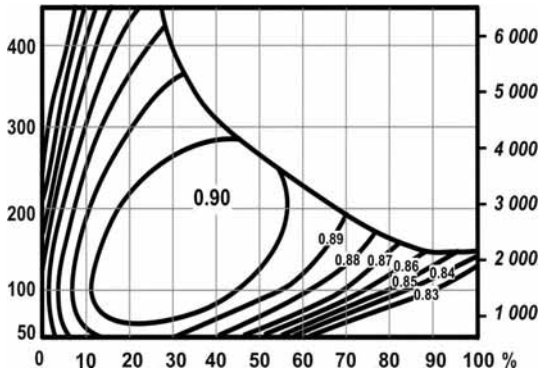
Efficiency

Overall efficiency

Average values given for guidance for code 0 displacement after 100 hours of operation with HV46 hydraulic fluid at 50°C [122°F].



Actual output torque



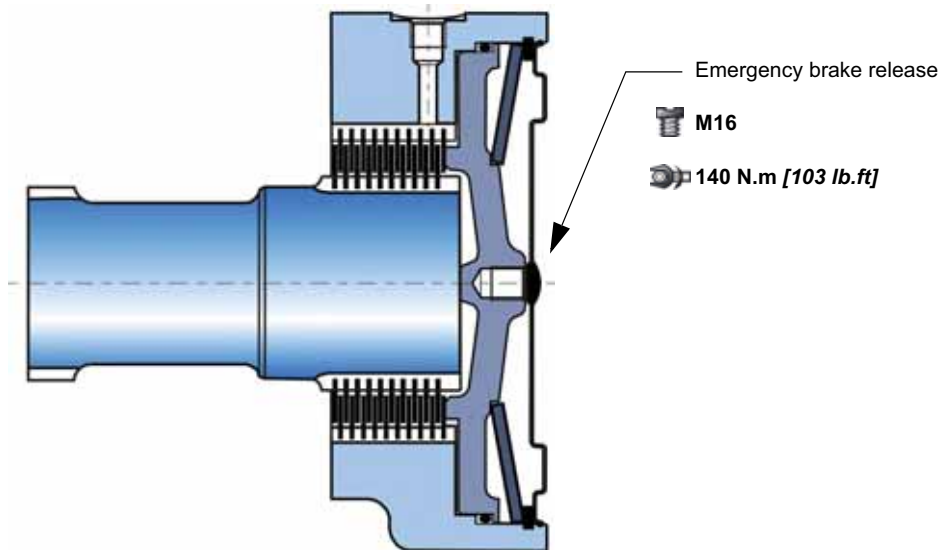
The starting torque is taken to be approximately 85% of the first value for available pressure. For a precise calculation, consult your Poclain Hydraulics application engineer.



BRAKES

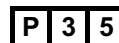


Rear brake



Brake principle

This is a multidisc brake which is activated by a lack of pressure. The spring exerts a force on the piston, which presses on the fixed and mobile discs, and immobilizes the shaft. The braking torque decreases in linear proportion to the brake release pressure.



Parking brake torque at 0 bars on housing (new brake)	20 500 Nm [15 120 lb.ft]
Dynamic emergency braking torque at 0 bars on housing (max. 10 uses of emergency brakes)	13 325 Nm [9 830 lb.ft]
Residual parking braking at 0 bars on housing *	15 375 Nm [11 340 lb.ft]
Min. brake release pressure	12 bar [174 PSI]
Max. brake release pressure	30 bar [435 PSI]
Oil capacity	700 cm ³ [42,7 cu.in]
Volume for brake release	70 cm ³ [4,3 cu.in]

* After emergency brake has been used



Do not run in multidisc brakes.



A functional check of the parking brake must be carried out each time it is used as an auxiliary brake (or emergency brake). For all vehicles capable of speeds over 25 km/hour, please contact your Poclair Hydraulics application engineer.

Modularity and Model code

Wheel motor

Shaft motor

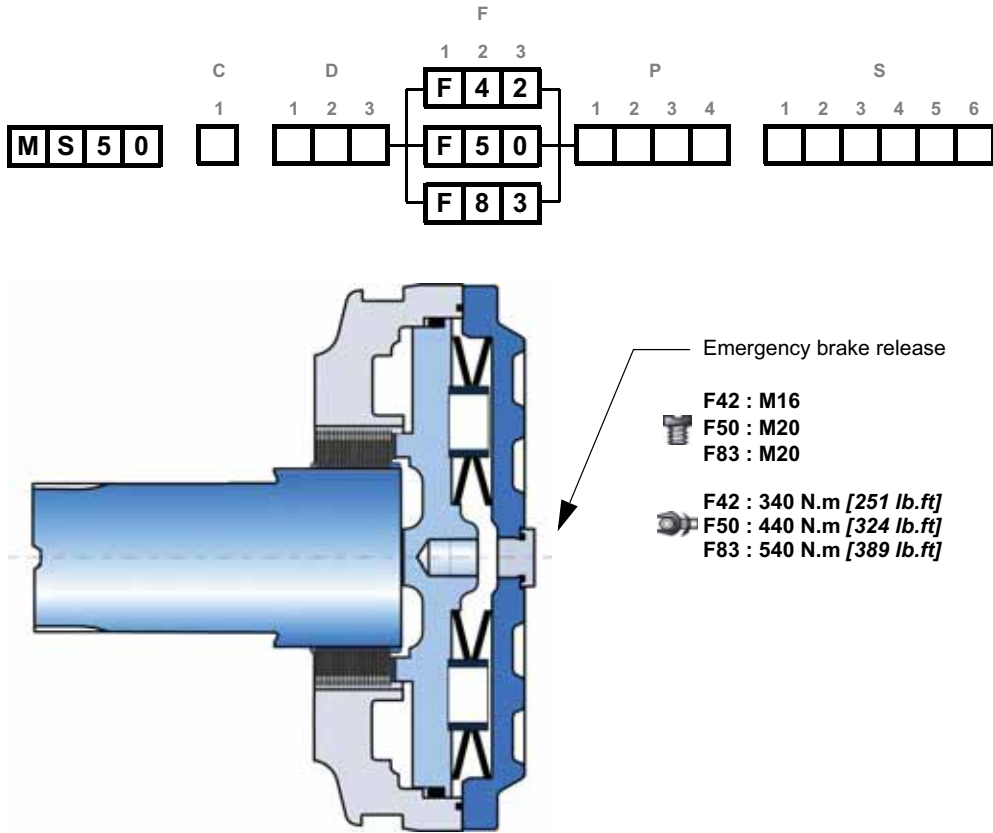
Valving systems and hydrobases

Brake

Options



Rear brake



Brake principle

This is a multidisc brake which is activated by a lack of pressure. The spring exerts a force on the piston, which presses on the fixed and mobile discs, and immobilizes the shaft. The braking torque decreases in linear proportion to the brake release pressure.

Rear brake

	F 4 2	F 5 0	F 8 3
Parking brake torque at 0 bars on housing (new brake)	25 000 Nm [18 440 lb.ft]	30 000 Nm [22 130 lb.ft]	42 000 Nm [30 980 lb.ft]
Dynamic emergency braking torque at 0 bars on housing	16 250 Nm [11 990 lb.ft]	19 500 Nm [14 380 lb.ft]	27 300 Nm [20 140 lb.ft]
Residual parking braking at 0 bars on housing *	18 750 Nm [13 830 lb.ft]	22 500 Nm [16 600 lb.ft]	31 500 Nm [23 230 lb.ft]
Min. brake release pressure	12 bar [174 PSI]	12 bar [174 PSI]	14 bar [203 PSI]
Max. brake release pressure	30 bar [435 PSI]	30 bar [435 PSI]	30 bar [435 PSI]
Oil capacity	400 cm ³ [24,4 cu.in]	450 cm ³ [27,5 cu.in]	450 cm ³ [27,5 cu.in]
Volume for brake release	135 cm ³ [8,2 cu.in]	135 cm ³ [8,2 cu.in]	135 cm ³ [8,2 cu.in]

* After emergency brake has been used



Do not run in multidisc brakes.

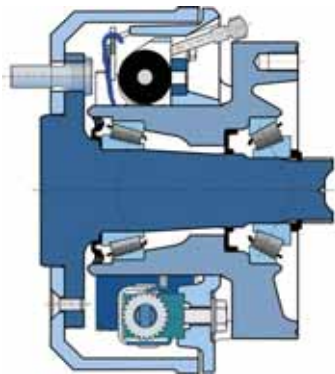
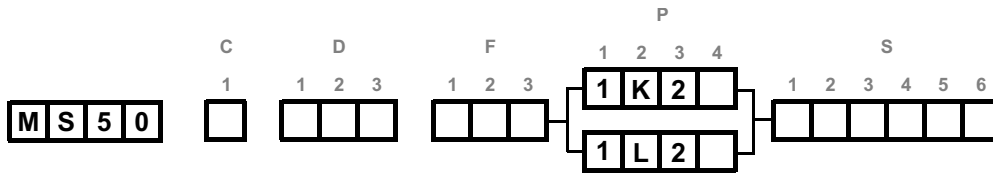


A functional check of the parking brake must be carried out each time it is used as an auxiliary brake (or emergency brake). For all vehicles capable of speeds over 25 km/hour, please contact your Poclair Hydraulics application engineer.



Drum brake (432 x 102)

Diameter of brake pads : Ø 432 [17 dia.]
 Width of friction surface : 102 [4,01]



Brake pads

Asbestos free material	BERAL 1109 or JURID 505
Compensation for wear	Automatic

Hydraulically controlled dynamic braking

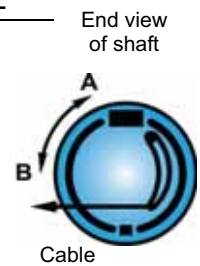
Max. permissible continuous brake torque	16 200 N.m [11 948 lb.ft]
Pressure to obtain max. permissible continuous brake torque	71 bar [1 028 PSI]
Max. permissible brake torque	27 000 N.m [19 914 lb.ft]
Pressure to obtain max. permissible brake torque	120 bar [1 740 PSI]

Fluid

Mineral	Yes	K
DOT 3 / DOT 4 / SAE J1703	Yes	L
Max. volume required to bring pads into contact	10.2 cm ³ [0.62 cu.in]	

Mechanically controlled parking brake

Max. braking torque	27 000 N.m [19 914 lb.ft]
Max permissible force on the cable	5 700 N [1 281 lbf]
Force required to bring pads into contact	37 N [8 lbf]
Stroke required to bring pads into contact (new brake)	A 19 mm [0.73 "]
	B 16 mm [0.63 "]



The max. braking torque can only be obtained when the brake has been run in. Consult your Poclain Hydraulics application engineer.

Control

The drum brakes can be controlled hydraulically (service brake) and by a cable (mechanical control for parking brake).



Do not use hydraulic and mechanical brake controls simultaneously.



See also 'Wheel motor' section (thumbnail opposite)



When making an encoding request, you must indicate the following information:
 - The material of the brake linings,
 - The type of connection at the end of the parking brake control cable,
 - Fill out the technical questionnaire for validation of the brake.

Modularity and Model code

Wheel motor

Shaft motor

Valving systems and hydrobases

Brake

Options





OPTIONS

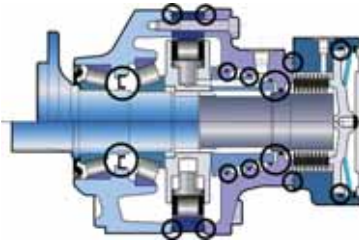
				C	D			F			P				S					
				1	1	2	3	1	2	3	1	2	3	4	1	2	3	4	5	6
M	S	5	0	<input type="checkbox"/>	<input type="checkbox"/>	<input type="checkbox"/>	<input type="checkbox"/>	<input type="checkbox"/>	<input type="checkbox"/>	<input type="checkbox"/>	<input type="checkbox"/>	<input type="checkbox"/>	<input type="checkbox"/>	<input type="checkbox"/>	<input type="checkbox"/>	<input type="checkbox"/>	<input type="checkbox"/>	<input type="checkbox"/>	<input type="checkbox"/>	<input type="checkbox"/>



You can accumulate more than one optional part. Consult your Poclain Hydraulics sales engineer.

1 - Fluorinated elastomer seals

Nitrile seals marked in the figure below replaced by fluorinated elastomer seals.

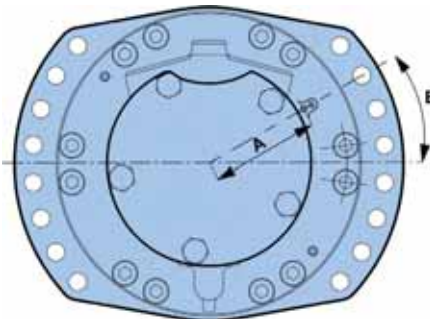


Consult your Poclain Hydraulics sales engineer.

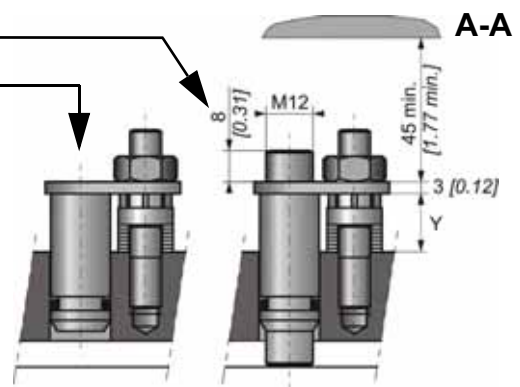
2 - S - 8 - Installed speed sensor or predisposition

Designation

T4 Speed sensor installed	2
TR Speed sensor installed	S
Predisposition for speed sensor	8



	mm [in]	mm [in]
A	118,9 [4,68]	118,9 [4,68]
B	0°	20°
	2-displacement	1-displacement



Max. length Y= 15.1

Standard number of pulses per revolution= 56



Look at the "Mobile Electronic" N° A01889D technical catalogue for the sensor specifications and its connection.



To install the sensor, see the "Installation guide" brochure No. 801478197L.

Modularity and Model code

Wheel motor

Shaft motor

Valving systems and hydrobases

Brake

Options



6 - Industrial support

Reduction of around 50% from the rated value in the bearings' preload value.



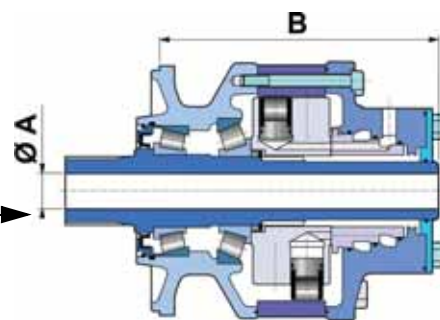
For a precise calculation, consult your Poclain Hydraulics application engineer.

7 - Diamond™

Special treatment of the motor core which considerably increases its strength, making the motor much more tolerant to temporary instances of the operating conditions being exceeded.

A - Hollow shaft

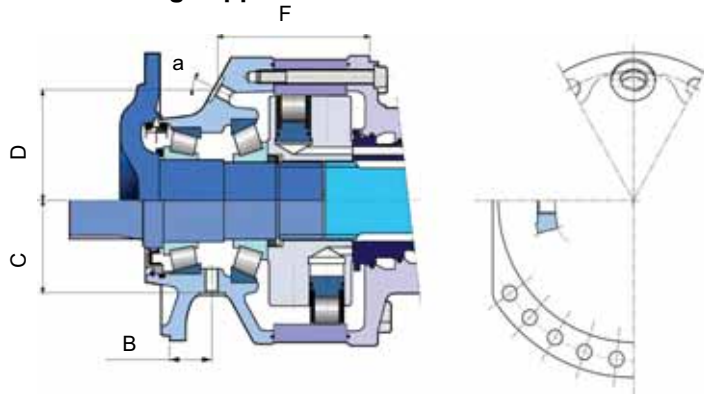
2 M8 screws: $\varnothing 80\text{mm}$ [3.14"dia.]
diametrically opposite.
Threaded depth
12 mm min. [0.47"min.]



A	B
mm [in]	mm [in]
$\varnothing 60$ [2,36 dia.]	480 [18,90]

Radial load x 0.75
No torque transmittable to the rear

B - Drain on the bearing support

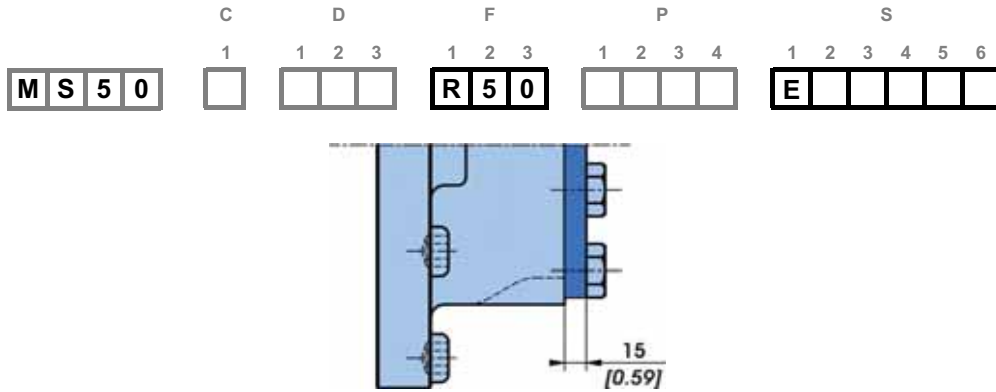


		B	C	D	F	a
		mm [in]	mm [in]	mm [in]	mm [in]	
Shaft motor	M22 x 1.5	56 [2,20]	133 [5,24]			
Wheel motor				159 [6,26]	221 [8,70]	45°



E - Reinforced sealing

Requires reinforced seals and, for an unbraked motor, a rear reinforced plate (**R50** - 15 [0.594]thick, instead of 6 [0.237]).



G - Special wheel rim mounting

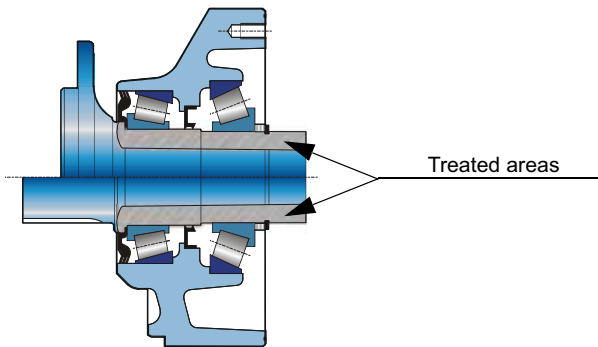
Enables certain combinations different from the standard mountings.



Consult your Poclain Hydraulics sales engineer.

J - Treated shaft

Heat treatment on the indicated bearing radius and splines.



N - Drain on the bearing

A purge screw enables the motor to be mounted vertically, the shaft oriented upward.

Modularity and Model code

Wheel motor

Shaft motor

Valving systems and hydrobases

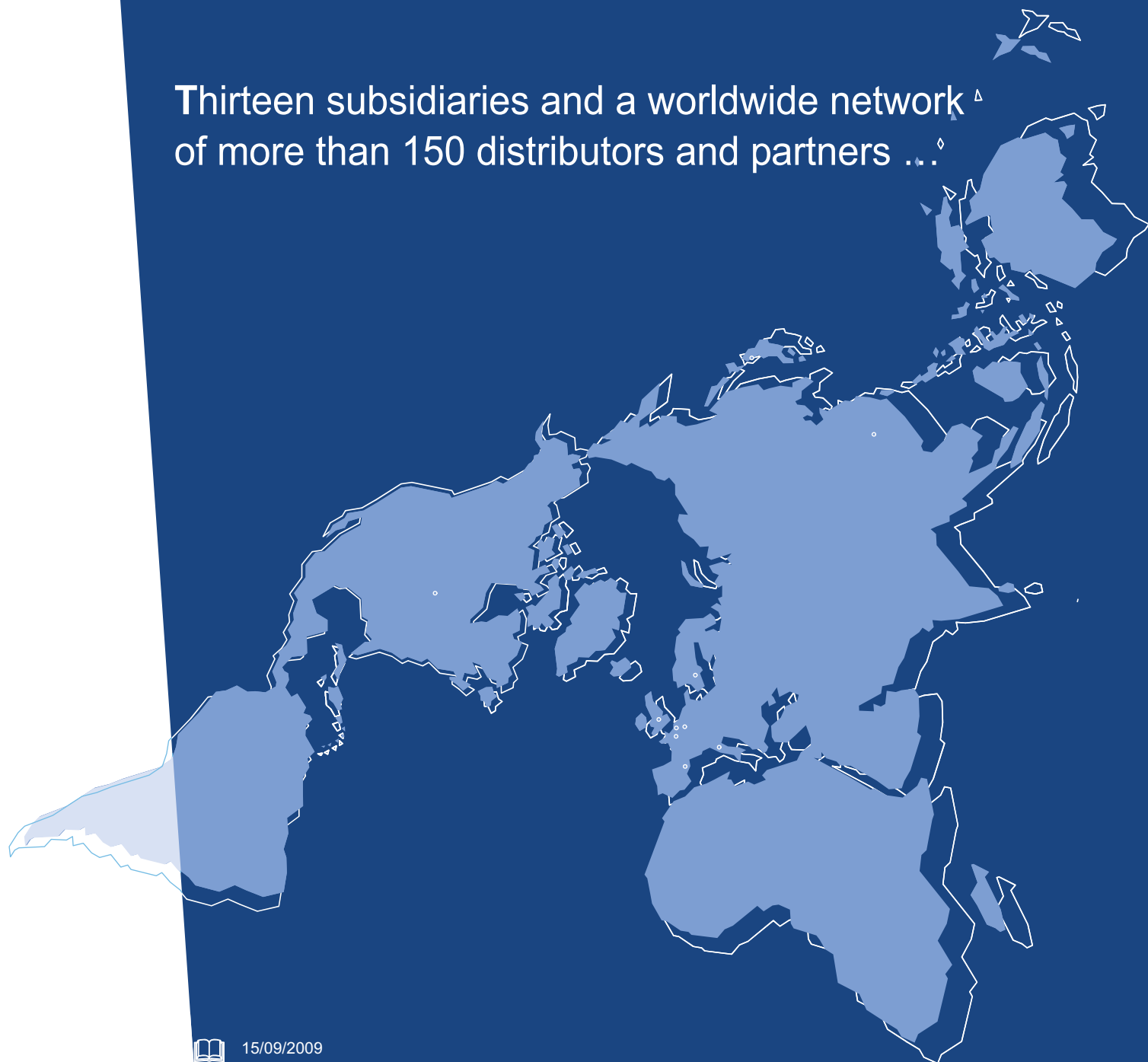
Brake

Options





Thirteen subsidiaries and a worldwide network
of more than 150 distributors and partners ...



	15/09/2009
	801 478 124G
	801 478 194H
	801 578 107J
	801 578 119W
	801 578 131K
	Not available
	Not available
	A14246K

Poclain Hydraulics reserves the right to make any modifications it deems necessary to the products described in this document without prior notification. The information contained in this document must be confirmed by Poclain Hydraulics before any order is submitted.

Illustrations are not binding.

The Poclain Hydraulics brand is the property of Poclain Hydraulics S.A.

PH
POCLAIN HYDRAULICS

More information on

