

Service Data

Vickers®

Steering

EAT•N

Power Steering Pump

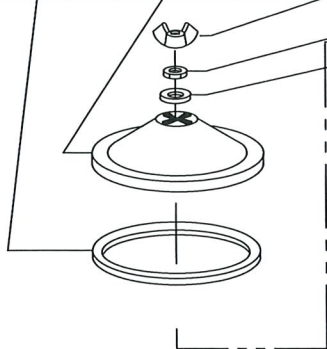
VTM27/28/42 Series -14 Design

VICKERS

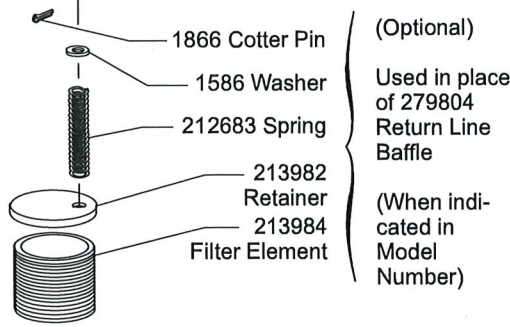
Revised 04/01/97

M-2052-S

Gasket	Cover S/A	Wing Nut	Lock Washer	Washer	Model
291439	314269	109609	294050	233037	VTM**-**-**-07**-14
142521	375095			308075	VTM**-**-**-11**-14

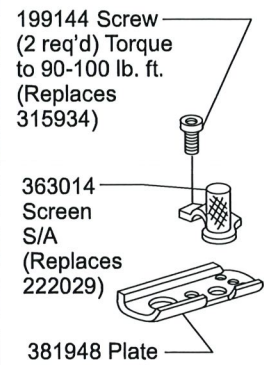


Filter Parts

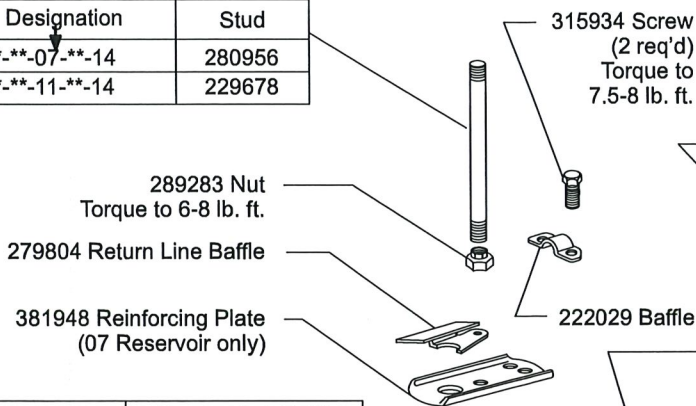


Inlet Strainer

(Optional parts used when "S" is indicated in model number)



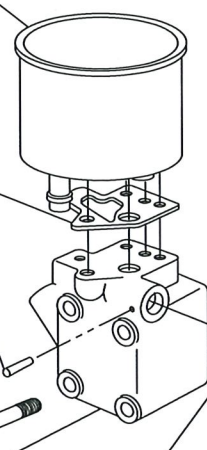
Model Designation	Stud
VTM**-**-**-07**-14	280956
VTM**-**-**-11**-14	229678



Note
Assemble rotor with counterbore toward body.

Model	Reservoir S/A Kit		
	Cu. In.	With Filter	Without Filter
VTM**-**-**-07**-14	70	923839	923837
VTM**-**-**-11**-14	115	923840	823838

- ▲ 291667 Gasket
- 32559 Pin
- 171523 Screw (4 req'd) Torque to 25-30 lb. ft.



- ▲ 213998 "O" Ring (See table)
- ▲ 174619 "O" Ring (See table)
- Spring (See table)
- Pressure Plate (See table)
- Ring (See table)
- Vane Kit (10 Vanes) (See table)
- Rotor (See table)
- Pin (2 req'd) (See table)
- ▲ 199390 "O" Ring (See table)
- 375094 Plug

Model Designation	Cover Sub. Assy.
VTM**-**-07**-14	574347
VTM**-**-15**-14	377547
VTM**-**-20**-14	377552
VTM**-**-25**-14	377548
VTM**-**-30**-14	377549
VTM**-**-35**-14	377555
VTM**-**-40**-14	377553
VTM**-**-45**-14	377550
VTM**-**-50**-14	379063
VTM**-**-55**-14	377554
VTM**-**-60**-14	379064
VTM**-**-65**-14	377551
VTM**-**-75**-14	379062

Model	Control Valve S/A
VTM**-**-02	229613
VTM**-**-03	255515
VTM**-**-05	233018
VTM**-**-06	247615
VTM**-**-07	232794
VTM**-**-08	397339
VTM**-**-10	232795
VTM**-**-12	232796
VTM**-**-15	232797
VTM**-**-17	232798
VTM**-**-20	232799
VTM**-**-35	284220

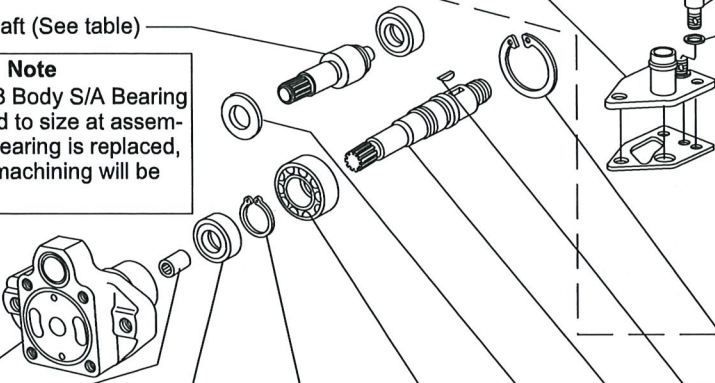
Manifold Parts

Model	Manifold Kit	Manifold S/A	Plug	Screw (3) Torque to 90-100 lb. in.	Washer	Gasket
VTM**-**-**-MA**-**-14	923844	280955	—	199144	28931	275260
VTM**-**-**-MB**-**-14	923845	280954				
VTM**-**-**-MD**-**-14	923846	281409				
VTM**-**-**-ME**-**-14	923847	275276	7075	315939	28931	275260
VTM**-**-**-MF**-**-14		283905		199144		
VTM**-**-**-MG**-**-14	—	283905	—	315939	28931	292458
VTM**-**-**-MH**-**-14		293026		199144		
VTM**-**-**-MJ**-**-14		292457		315939		
VTM**-**-**-MR**-**-14		344082		199144		
VTM**-**-**-MS**-**-14		413689		275260		
VTM**-**-**-NO**-**-14	—	—	—	—	—	283556

VTM 28 Shaft (See table)

Note

The VTM28 Body S/A Bearing is machined to size at assembly. If the Bearing is replaced, additional machining will be necessary.



- MA - No Bypass Tube
- MB - With Bypass Tube
- MD - 90° Bend on Inlet Tube
- ME - Casting W/Out Bypass Tube
- MF - Casting with Bypass Tube
- MG - No Bypass Swivel Coupling
- MH - 90° Bend on Inlet Tube
- MJ - Casting w/Out Bypass Tube
- MR - 90° Bend on Inlet & Bypass Tube
- MS - 90° Bend on Inlet Tube
- NO - No Manifold

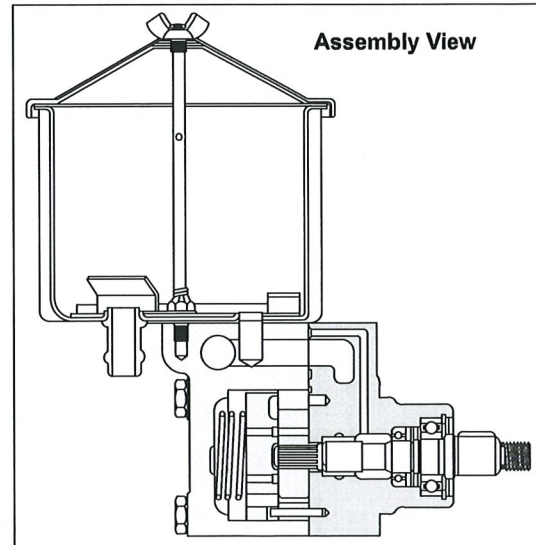
Body S/A Kit (Includes Ball & Bearing)	Bearing	Shaft Seal	Retaining Ring	Bearing	Washer	#1 Shaft	Key	Retaining Ring	Model
923951	222440	▲ 263585	193732	148423	—	250455	1606	172376	VTM27/42 Series
308048	184408	△ 188323	—	—	307569	307597	—	—	VTM28 Series

Spring	Pressure Plate	Pin (2 req'd)	Ring	Vane Kit (10 Vanes)	Rotor	Cartridge Kit	Model Designation
289281	276396	217308	296594	912139	213860	923087	VTM**-10**-**-**-14
			296595			923088	VTM**-15**-**-**-14
			296596			923089	VTM**-20**-**-**-14
245507	276396	154364	296597	922594	213859	923090	VTM**-40**-**-**-14
			296598			923091	VTM**-50**-**-**-14
			296599			923092	VTM**-60**-**-**-14

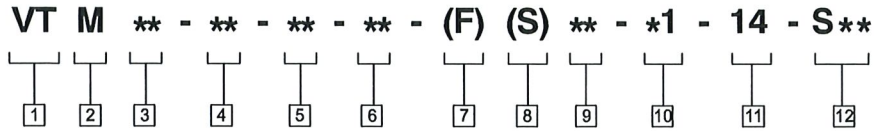
△ Included in 923086 VTM28 Seal Kit

▲ Included in VTM27 & VTM42 Seal Kit 922904

See Overhaul Manual M-2050-S for maintenance information.



Model Code



1 Vane Type

2 Mobil Application

Series

27
28
42

3 Capacity

10 - 1.0 US GPM
15 - 1.5 US GPM
20 - 2.0 US GPM
40 - 4.0 US GPM
50 - 5.0 US GPM
60 - 6.0 US GPM

**4 Controlled Flow
(1500 RPM @ 100 PSI)**

07 - 0.7 US GPM
15 - 1.5 US GPM
20 - 2.0 US GPM
25 - 2.5 US GPM
30 - 3.0 US GPM
35 - 3.5 US GPM
40 - 4.0 US GPM
45 - 4.5 US GPM
50 - 5.0 US GPM
55 - 5.5 US GPM
60 - 6.0 US GPM
65 - 6.5 US GPM
75 - 7.5 US GPM

5 Relief Valve Setting

02 - 250 PSI
03 - 300 PSI
05 - 500 PSI
07 - 750 PSI
08 - 850 PSI
10 - 1000 PSI
12 - 1250 PSI
15 - 1500 PSI
17 - 1750 PSI
20 - 2000 PSI
35 - 3500 PSI

6 Filter Parts

7 Inlet Screen

8 Reservoir or Manifold

07 - 70 Cu. In. Reservoir
11 - 115 Cu. In. Reservoir
MA - Manifold with no bypass tube
MB - Manifold with bypass tube
MD - Manifold - 90° bend on inlet tube
ME - Cast manifold with no bypass tube
MF - Cast manifold with bypass tube
MG - Manifold - no bypass swivel coupling
MH - Manifold - 90° bend on inlet tube
MJ - Cast manifold with no bypass tube
MR - Manifold - 90° bend on inlet and bypass tube
MS - Manifold - 90° bend on inlet tube
NO - Shipping closure

**9 Pump Rotation
(Viewed from Shaft End)**

R - Clockwise
L - Counterclockwise

10 Shaft No. 1

11 Design

12 Special Features

For satisfactory service life of these components in industrial applications, use full flow filtration to provide fluid which meets ISO cleanliness code 18/15 or cleaner. Selections from Eaton OFF, OFR, and OFRS series are recommended.